



Powered by Menasha Corporation

Improve Cold Chain Efficiency with NEW Rackable 40 x 48 Odyssey Pallet

The 40 x 48 Odyssey Pallet is designed for efficient handling of cased products in cold storage and refrigerated warehouses.

Cold storage prolongs product shelf life and maintains fresh appearance for today's food processors. The cold chain includes the storage and transport of temperature-sensitive products, from warehouses to trailers. Supply chain success is determined by safe storage and transport packaging, trained personnel and efficient processes.

The new Odyssey rackable pallet is a robust solution that supports heavy loads and provides load stability with unique design features, including optional steel reinforcements and permanent molded-in frictional elements. The plastic Odyssey pallet is an ideal alternative to wood, as it is fully reusable and offers dimensional consistency ideal for automated equipment.

- **Racking strength** - High strength-to-weight ratio capable of unsupported rack loads up to 2,800 lbs
- **Load stability** - Permanent, molded-in frictional elements minimize load shifting and do not damage product packaging
- **Ergonomic** - Lightweight design and comfortable hand holds for easy manual handling
- **Impact resistant** - Robust and highly resistant to impact from equipment, ideal for rugged applications
- **Hygienic** - Flow-through, hygienic design for easy cleanability

ORBIS' latest innovation builds on the success of decades of pallet innovation, from materials to design. **Contact an ORBIS representative today to reduce transportation costs and streamline your operations.**

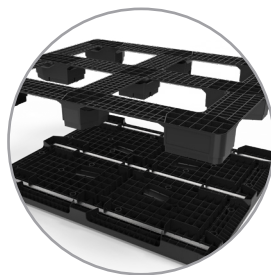


Odyssey Cold Chain Applications

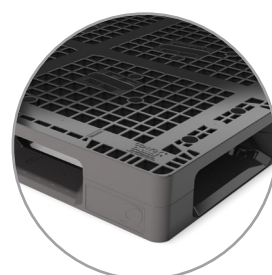
- Cold storage of bakery, beverage, produce, fluid milk and dairy products (cheese, yogurt, etc.)
- Frozen storage of meat, bakery, vegetable and dairy products (ice cream and confections, etc.)



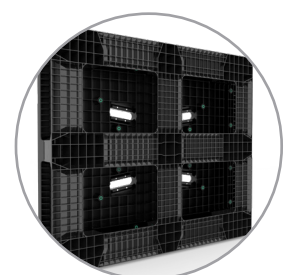
Minimize load shifting with optional molded-in frictional elements*



Optional steel reinforcements offered in the 40", 48" or both directions



Keep plants and equipment clean with hygienic design options



Seamless conveyance with full stringer bottom

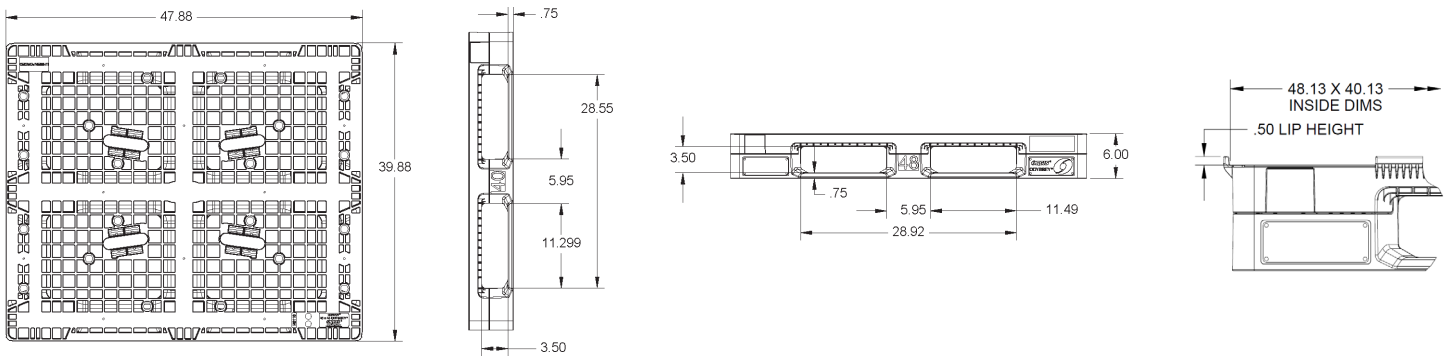
*Frictional elements are offered in black only and are modeled in green solely for illustration.

Improve Cold Chain Efficiency with NEW Rackable 40 x 48 Odyssey Pallet

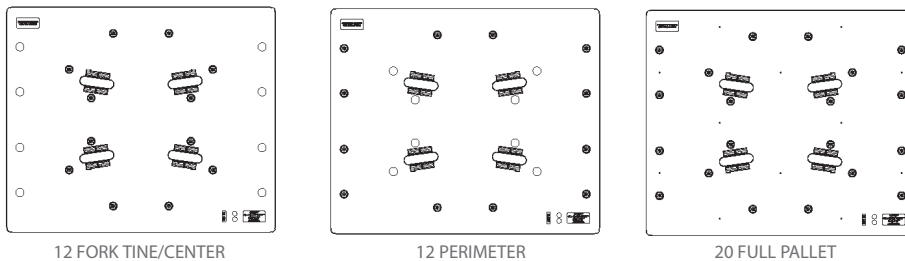
The 40 x 48 Odyssey Pallet is designed for efficient handling of cased products in cold storage and refrigerated warehouses.

Odyssey Specifications

Pallet Dimensions



Frictional Element Configurations



Odyssey Model Options

Specifications (Upper Dimensions: English, Lower Dimensions: Metric)

Model	Dimensions (in/mm)			Weight (lbs/kg)	Load Capacity (lbs/kg)		Rack Rating (lbs/kg)		53' Truckload Qty*
	L	W	H		Static	Dynamic	Selective/Edge	Decking/Center	
40 x 48 Odyssey SD	48.0	40.0	6.0	42.0	30,000	4,000	2,200	4,000	540
Open Deck	1219	1016	152	19.1	13608	1814	998	1814	
40 x 48 Odyssey SD	48.0	40.0	6.0	45.0	30,000	4,000	2,200	4,000	540
Closed Deck	1219	1016	152	20.4	13608	1814	998	1814	
40 x 48 Odyssey HD**	48.0	40.0	6.0	49.0	30,000	6,000	2,800	6,000	540
Open Deck & Reinforcements	1219	1016	152	22.2	13608	2722	1270	2722	
40 x 48 Odyssey HD**	48.0	40.0	6.0	52.0	30,000	6,000	2,800	6,000	540
Closed Deck & Reinforcements	1219	1016	152	23.6	13608	2722	1270	2722	

*Lip models offer a 53' truckload quantity of 510

**Reinforcements in 40" direction, available in 48" direction upon request

Feature options include:

- 1/2" Discontinuous lip
- Frictional elements
- Molded logos
- Hot stamps
- Track and trace