

ORBIS Corporation Patent Notice Pursuant to 35 U.S.C. § 287:  
These ORBIS Corporation products are covered by the listed U.S. and/or Foreign Patents.  
Other ORBIS Corporation patent applications may be pending.

Product Name

Patent Picture

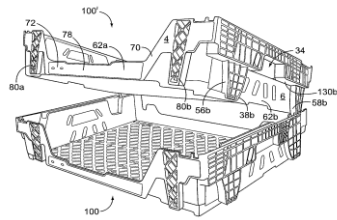
U.S. and/or Foreign Patent

Product Name

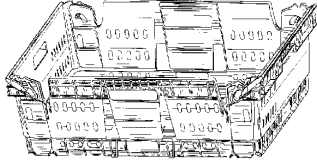
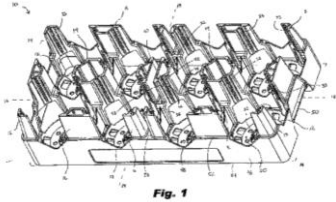
Patent Picture

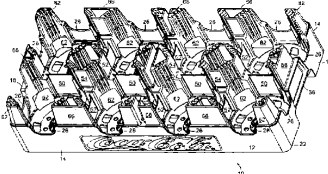
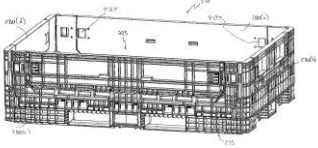
U.S. and/or Foreign Patent

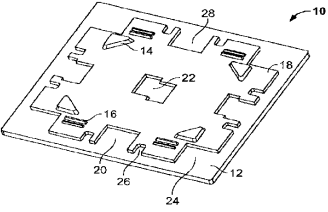
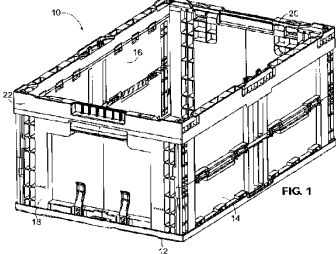
NPL667 UB  
NPL667 UBB

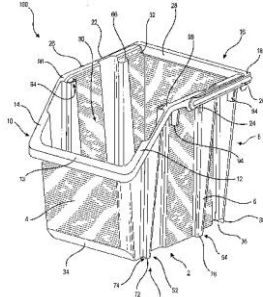
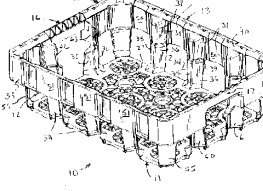
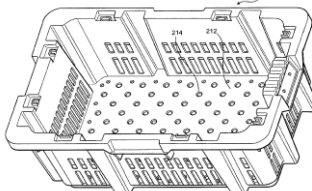
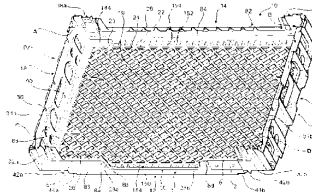
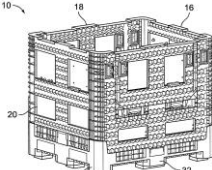
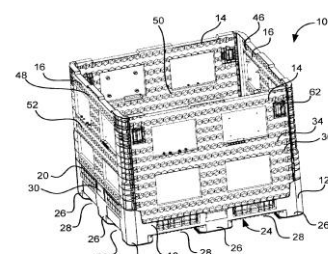


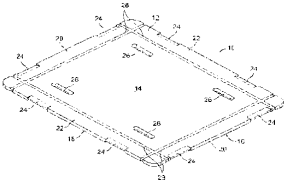
Covered by one or more of U.S. Patent 7,686,167

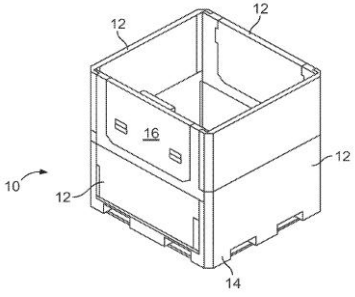
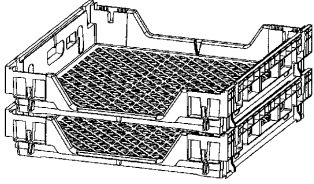
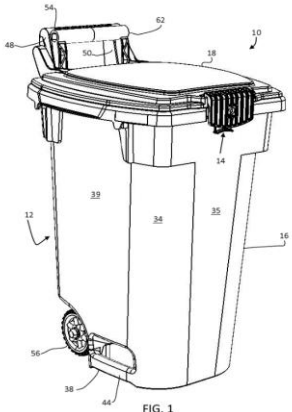
Product Name	Patent Picture	U.S. and/or Foreign Patent
<p>NPL687 NPL688</p>		<p>Covered by one or more of U.S. Patent No. 7,669,713</p>
<p>NPL410</p>	 <p>Fig. 1</p>	<p>Covered by one or more of U.S. Patent Nos. 7,793,783; 8,757,420; 9,428,321; Canadian Patent No. 2,669,586</p>

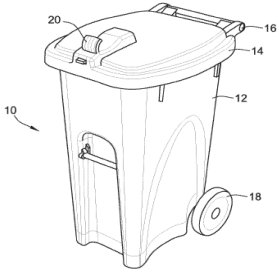
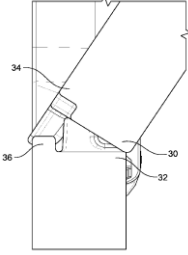
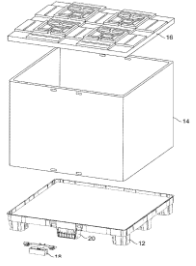
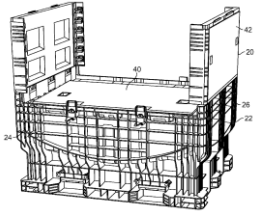
Product Name	Patent Picture	U.S. and/or Foreign Patent
NPL416		Covered by one or more of U.S. Patent Nos. 8,328,009; 8,607,971; 9,174,760; Canadian Patent No. 2,701,030; Mexican Patent No. 310441
HDR4845 HDR7048 HDR7848		Covered by one or more of U.S. Patent Nos. 9,422,082

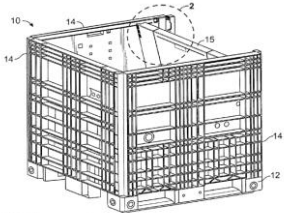
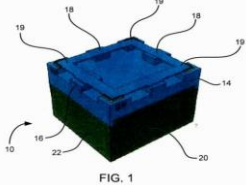
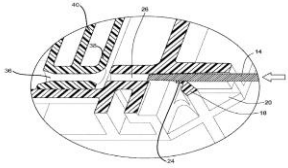
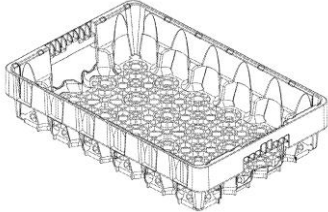
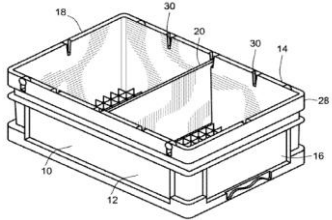
Product Name	Patent Picture	U.S. and/or Foreign Patent
<p>MP4845 Top Cap CISC</p>		<p>Covered by one or more of U.S. Patent No. 9,296,515; Canadian Patent No. 2,656,668; Mexican Des. Reg. No. 29461</p>
<p>All HHFC Totes (Newer Knock Downs)</p>		<p>Covered by one or more of U.S. Patent 7,861,879; 8,267,270; 8,485,376; 9,371,154; Canadian Patent No. 2,665,281</p>

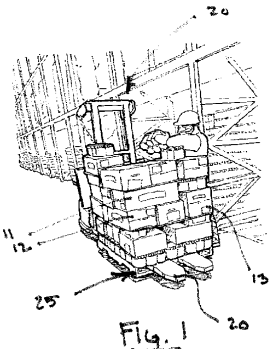
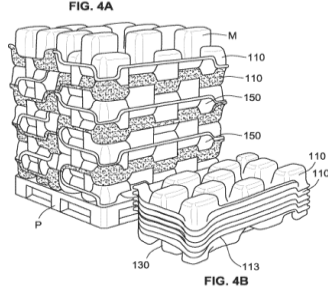
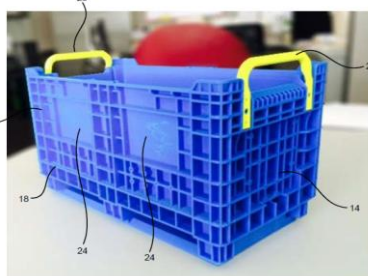
Product Name	Patent Picture	U.S. and/or Foreign Patent
NPL215		Covered by one or more of U.S. Patent No. D657,105
NPL413		Covered by one or more of U.S. Patent 7,743,939
NPL654A NPL654B		Covered by one or more of U.S. Patent 7,784,615
NPL662		Covered by one or more of U.S. Patent 8,047,369; 9,296,516
FPB1149807 9-LEG		Covered by one or more of U.S. Patent 8,727,158; 9,415,898
	 <p data-bbox="600 1806 665 1837">FIG. 1</p>	Covered by one or more of U.S. Patent 8,413,831; 8,820,560

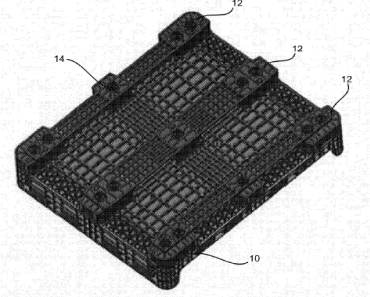
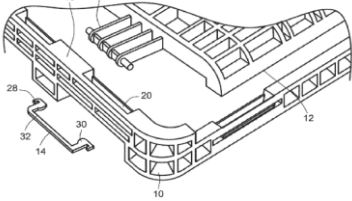
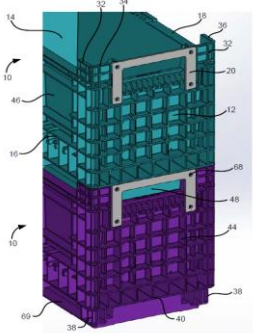
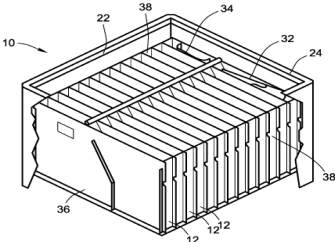
Product Name	Patent Picture	U.S. and/or Foreign Patent
Purmaxx™ Foam Top Frames PSB Dolly Pallets		Covered by one or more of U.S. Patent Nos. 9,522,760; 9,630,735

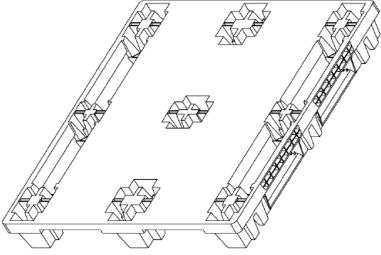
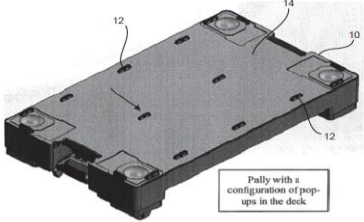
Product Name	Patent Picture	U.S. and/or Foreign Patent
<p>HDR7048 HDR7848</p>	 <p>A perspective view of a rectangular bin. The bin has a front panel with two handles labeled 16. The top edges are labeled 12, and the bottom edge is labeled 14. A reference numeral 10 points to the front panel area.</p>	<p>Covered by one or more of U.S. Patent 8,950,613</p>
	 <p>A perspective view of a bin with a mesh floor. The bin has a front panel with two handles labeled 16. The top edges are labeled 12, and the bottom edge is labeled 14. A reference numeral 10 points to the front panel area.</p>	<p>Covered by one or more of U.S. Patent Nos. 9,469,470; 9,919,838; Mexican Patent No. 390683</p>
<p>NPL280A</p>	 <p>A perspective view of a trash can with a lid. The lid has a handle labeled 54 and a latch labeled 50. The trash can has a front panel with a handle labeled 38 and a wheel labeled 56. The top edge of the trash can is labeled 12, and the bottom edge is labeled 14. A reference numeral 10 points to the top edge. Other labels include 16, 18, 20, 22, 24, 26, 28, 30, 32, 34, 36, 40, 42, 44, 46, 48, 52, 58, 60, 62, 64, 66, 68, 70, 72, 74, 76, 78, 80, 82, 84, 86, 88, 90, 92, 94, 96, 98, 100.</p> <p>FIG. 1</p>	<p>Covered by one or more of U.S. Patent 8,881,930; 9,248,964</p>

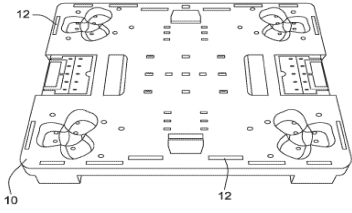
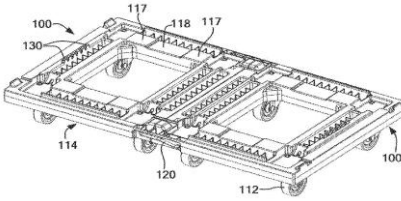
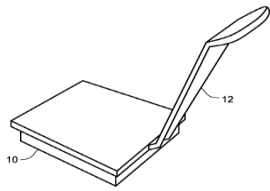
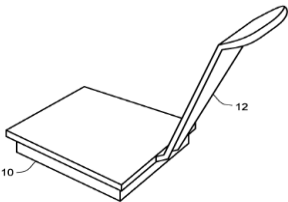
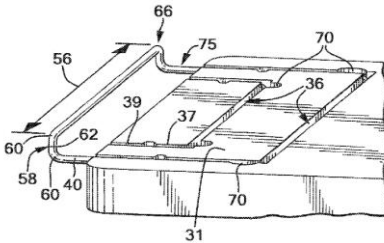
Product Name	Patent Picture	U.S. and/or Foreign Patent
Toronto (not built)		Covered by one or more of U.S. Patent Nos. 9,376,255
HDR4845NV HDB1000x1200 HDR5648NV HDR6548NV HDMC4845NV		Covered by one or more of U.S. Patent 8,915,397; 9,296,557
1000x1200 CFSC Opte		Covered by one or more of U.S. Patent No. 9,487,329; European Patent No. 2783996 in Belgium, Germany, Spain, France, U.K. and Italy
Seed Bin		Covered by one or more of U.S. Patent No. 9,580,237

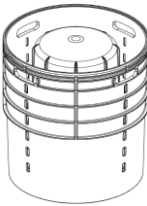
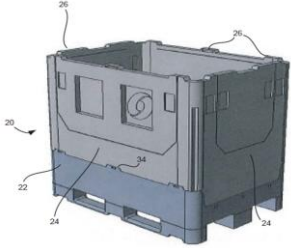
Product Name	Patent Picture	U.S. and/or Foreign Patent
FPB980755760	 <p>FIG. 1</p>	Covered by one or more of U.S. Patent No. 9,487,326; European Patent No. 2876054 in Germany, France and U.K.
Miscellaneous: Bulk Bin Shock Absorbers	 <p>FIG. 1</p>	Covered by one or more of U.S. Patent No. 9,708,097
HDR4845 NV Extended height		Covered by one or more of U.S. Patent No. 9,863,174; Mexican Patent No. 382498
BEV20C		Covered by one or more of U.S. Patent No. D749,323; Canadian Des. Reg. No. 162,400; Mexican Des. Reg. No. 48144
ML6040's New Mini Load Totes		Covered by one or more of U.S. Patent No. 10,486,860; Canadian Patent No. 2,971,403

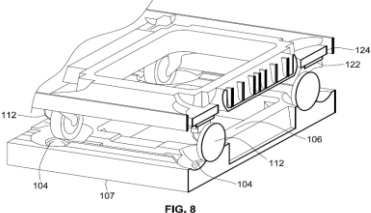
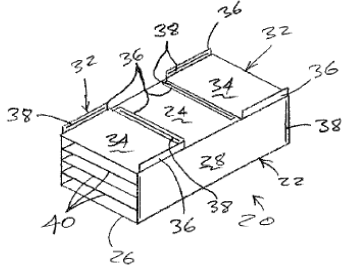
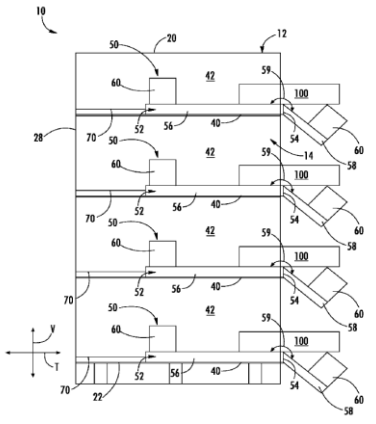
Product Name	Patent Picture	U.S. and/or Foreign Patent
		<p>Covered by one or more of U.S. Patent No. 9,764,876</p>
		<p>Covered by one or more of U.S. Patent No. 10,233,014</p>
<p>Bulk Tote HDRS3016-19</p>		<p>Covered by one or more of U.S. Patent Publication No. 10,479,552; Canadian Patent No. 2,922,429; Mexican Patent No. 375481</p>

Product Name	Patent Picture	U.S. and/or Foreign Patent
Euro Bulk		Covered by one or more of European Patent No. 3067289 in Belgium, France, Germany, Spain, U.K. and Italy
Euro Bulk		Covered by one of more of U.S. Patent No. 10,239,656; European Patent No. 3067288 in Germany, Italy and U.K.
Bulk Tote HDRS3016-19		Covered by one or more of U.S. Patent No. 10,427,837; Canadian Patent No. 2,927,787; Mexican Patent No. 377260
		Covered by one or more of U.S. Patent No. 9,902,525; Mexican Patent No. 388298

Product Name	Patent Picture	U.S. and/or Foreign Patent
		<p>Covered by one or more of U.S. Design Patent Application No. D825,882</p>
<p>ORBIShield®</p>		<p>Covered by one or more of U.S. Patent No. 10,301,068; Canadian Patent No. 3,000,168; Mexican Patent No. 403844; European Patent No. 3356245 in Belgium, Germany, Spain, France, United Kingdom and Italy</p>

Product Name	Patent Picture	U.S. and/or Foreign Patent
		<p>Covered by one or more U.S. Patent No. 9,878,820; Canadian Patent No. 3,005,209; Mexican Patent No. 397670</p>
Pally		<p>Covered by one or more of U.S. Patent No. 9,988,062; Mexican Patent No. 400842</p>
Pally		<p>Covered by one or more of U.S. Patent No. 10,065,666; Canadian Patent No. 3,009,156; European Patent No. 3397538 having Unitary Effect; Mexican Patent No. 400152</p>
Pally		<p>Covered by one or more of U.S. Patent Publication No. 9,937,942; Canadian Patent No. 3,009,998; European Patent No. 3397539 having Unitary Effect and nationalized in United Kingdom; Mexican Patent No. 410088</p>
Repairable		<p>Covered by one or more of U.S. Patent No. 10,086,973; Mexican Patent No. 394071</p>

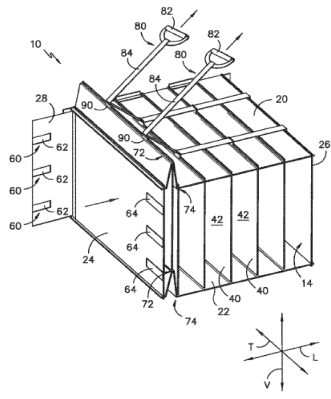
Product Name	Patent Picture	U.S. and/or Foreign Patent
Wire Drum		<p>Covered by one or more of U.S. Patent No. D804,769; Mexican Des. Reg. No. 51023; Canadian Des. Reg. No. 170,216</p>
		<p>Covered by one or more of U.S. Patent Nos. 10,457,444; 10,654,618; 11,325,747; European Patent No. 3464095 in Belgium, France, Germany, Italy, Spain and the United Kingdom; European Unitary Patent No. 3978381; European Patent No. 3978381 in Switzerland, Spain, United Kingdom, and Turkey; European Publication No. 4552990.</p>

Product Name	Patent Picture	U.S. and/or Foreign Patent
	 <p>FIG. 8</p>	<p>Covered by one or more of U.S. Patent No. 10,279,830; Canadian Patent No. 3,042,702; European Unitary Patent No. 3538415; European Patent No. 3538415 in the United Kingdom; Mexican Patent No. 402296</p>
		<p>Covered by one or more of U.S. Patent No. 8,978,912</p>
		<p>Covered by one or more of U.S. Patent No. 10,501,263</p>

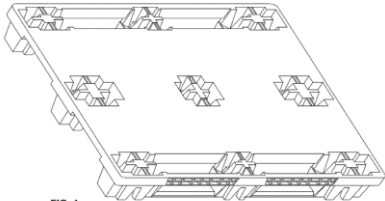
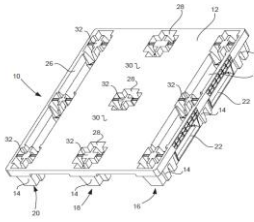
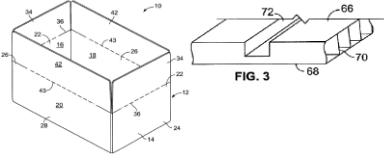
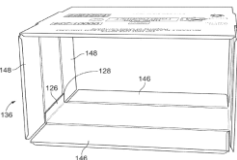
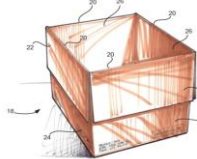
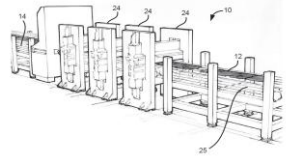
Product Name

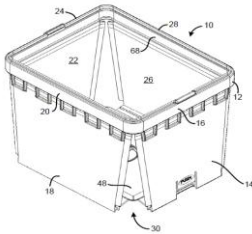
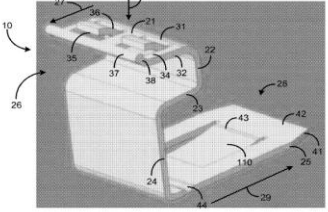
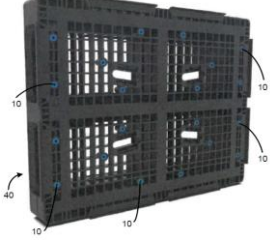
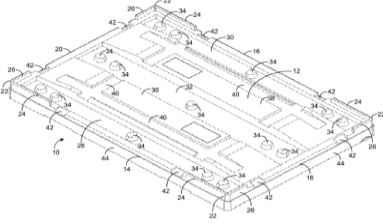
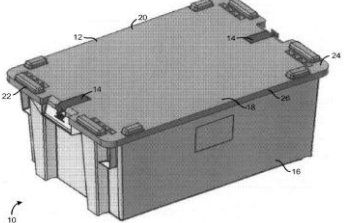
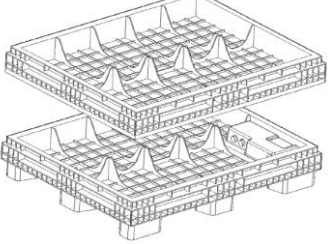
Patent Picture

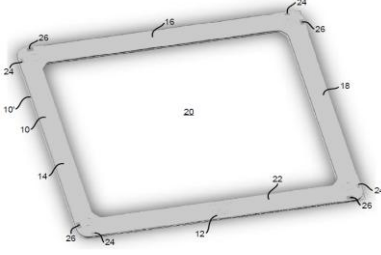
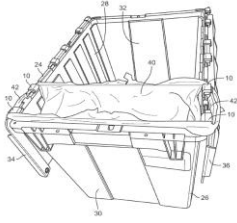
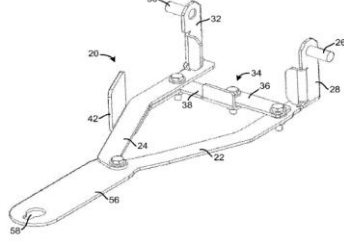
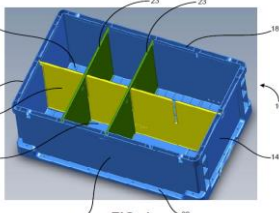
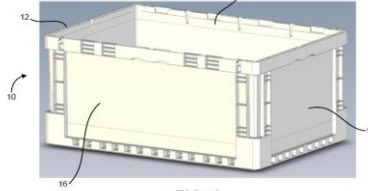
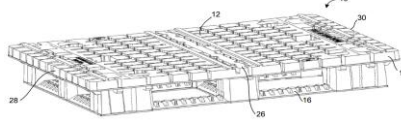
U.S. and/or Foreign Patent

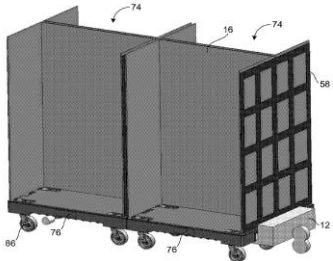


Covered by one or more of U.S. Patent No. 10,016,035; Mexican Patent No. 389401

Product Name	Patent Picture	U.S. and/or Foreign Patent
Nestable Pallet Runner	 <p>FIG. 1</p>	Covered by one or more of U.S. Patent Nos. D825,882
		Covered by one or more of U.S. Patent No. 10,538,360
PlastiCorr®	 <p>FIG. 3</p>	Covered by one or more of U.S. Patent Nos. 8,864,017; 9,555,918; 10,252,832; 11,702,241; Canadian Patent Nos. 2,851,357; 2,935,978; 3,037,138; European Patent No. 2766269 in Belgium, Germany, Spain, France, United Kingdom, Italy, the Netherlands, Poland, Sweden and Turkey; Mexican Patent Nos. 343734; 353612; 364678; Taiwan Patent Nos. 1600591; 1600592;
PlastiCorr®		Covered by one or more of U.S. Patent Nos. 9,604,750; 9,630,739; 10,829,264; 10,829,265; 11,072,455; 11,325,740; 11,643,241; 11,643,242; 11,760,530; Canadian Patent No. 3,052,706; European Patent No. 3865415 having Unitary Effect and nationalized in United Kingdom; European Patent Nos. 3089917 and 3486188 in Germany, France and United Kingdom; European Patent No. 3585693 having Unitary Effect and nationalized in Spain, United Kingdom and Turkey; Mexican Patent Nos. 397669 and 411306
PlastiCorr®		Covered by one or more of U.S. Patent Nos. 10,625,916; 10,961,038; 11,319,132; European Patent No. 3475178 in Belgium, France, Germany, Italy, Netherlands, Poland, Spain, Sweden, Turkey and United Kingdom
PlastiCorr®		Covered by one or more of U.S. Patent No. 11,072,140; Canadian Patent No. 3,066,762; European Unitary Patent No. 3642002; Mexican Patent No. 403551

Product Name	Patent Picture	U.S. and/or Foreign Patent
		<p>Covered by one or more of U.S. Patent No. 11,208,236; Mexican Patent No. 399011</p>
		<p>Covered by one or more of U.S. Patent No. 11,577,883</p>
		<p>Covered by one or more of U.S. Patent No. 11,911,939; European Patent No. 3835226 having Unitary Effect and nationalized in United Kingdom; Mexican Patent No. 414492</p>
		<p>Covered by one or more of U.S. Patent No. 11,447,291; European Publication No. 3878765</p>
		<p>Covered by one or more of U.S. Patent Publication No. 2021/0324666</p>
		<p>Covered by one or more of U.S. Patent Publication No. 2022/0081158</p>

Product Name	Patent Picture	U.S. and/or Foreign Patent
		<p>Covered by one or more of U.S. Patent Publication No. 2022/0194657; European Patent Publication No. 4267477</p>
		<p>Covered by one or more of U.S. Patent No. 11,851,231</p>
		<p>Covered by one or more of U.S. Patent Publication No. 2022/0250422</p>
	 <p>FIG. 1</p>	<p>Covered by one or more of European Patent No. 4197933 having Unitary Effect</p>
	 <p>FIG. 1</p>	<p>Covered by one or more of U.S. Patent No. 12,054,313; U.S. Patent No. 12,420,984; U.S. Publication No. 2026/0042576; European Publication No. 4197932</p>
		<p>Covered by one or more of U.S. Publication No. 2024/0359866</p>

Product Name	Patent Picture	U.S. and/or Foreign Patent
		<p data-bbox="971 254 1354 275">Covered by one or more of U.S. Publication No. 2024/0391642</p>